

## DH-HAC-HFW1000SL

---

1Megapixel 720P Water-proof HDCVI IR Bullet Camera



### Features

- 1/4" 1MegapixelCMOS
- 25/30fps@720P
- High speed, long distance real-time transmission
- HD and SD switchable
- OSD Menu, control over coaxial cable
- DWDR, Day/Night(ICR),AWB, AGC, BLC, 2DNR
- 3.6mm fixed lens(2.8mm optional)
- Max. IR LEDs length 30m, Smart IR
- IP67,DC12V

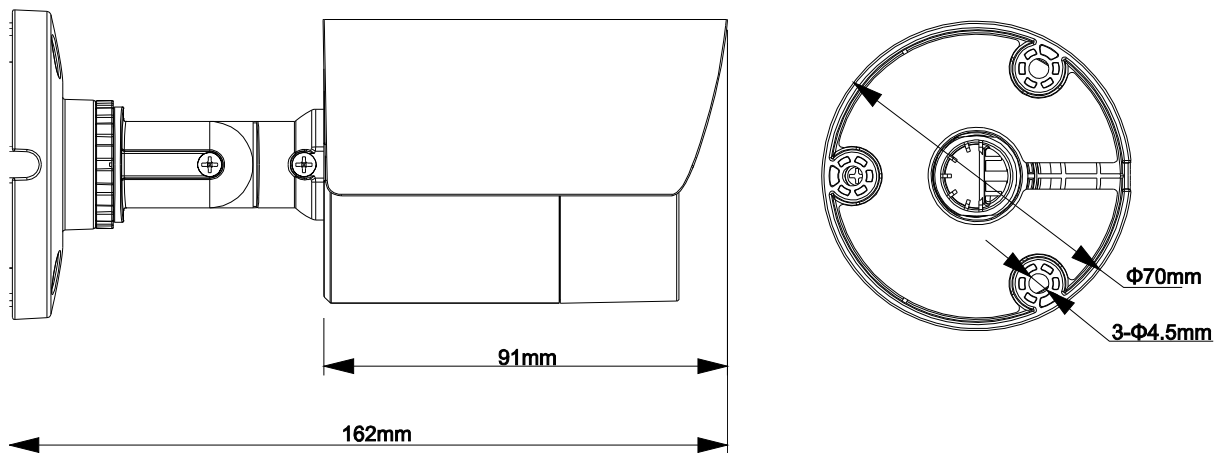
# DH-HAC-HFW1000SL

## Technical Specifications

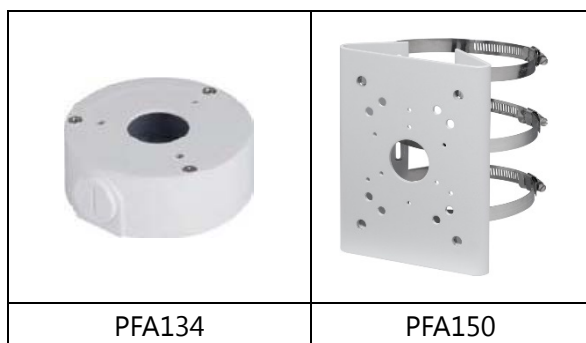
| Model                  | DH-HAC-HFW1000SLP  | DH-HAC-HFW1000SLN |
|------------------------|--|-------------------|
| <b>Camera</b>          |  |                   |
| Image Sensor           | 1/4" 1Megapixel CMOS   |                   |
| Effective Pixels       | 1280(H)×720(V)   |                   |
| Electronic Shutter     | 1/25s~1/100,000s   | 1/30s~1/100,000s  |
| Video Frame Rate       | 25fps@720P   | 30fps@720P        |
| Synchronization        | Internal   |                   |
| Min. Illumination      | 0.05Lux/F2.0, 0Lux IR on   |                   |
| Video Output           | 1-channel BNC high definition video output/ CVBS standard definition video output (Can switch) |                   |
| <b>Camera Features</b> |  |                   |
| Max. IR LEDs Length    | 30m, Smart IR  |                   |
| Day/Night              | Auto(ICR)/Color/B/W  |                   |
| Backlight Compensation | DWDR   |                   |
| Noise Reduction        | 2D   |                   |
| OSD Menu               | Support  |                   |
| <b>Lens</b>            |  |                   |
| Focal length           | 3.6mm fixed lens (2.8mm optional)  |                   |
| Angle of View          | H: 60° (83.4°)   |                   |
| Mount Type             | M12  |                   |
| <b>General</b>         |  |                   |
| Power Supply           | DC12V±25%  |                   |
| Power Consumption      | Max 3.8W   |                   |
| Working Environment    | -40°C~+60°C/ Less than 95%RH (no condensation)   |                   |
| Transmission Distance  | Over 800m via 75-3 coaxial cable   |                   |
| Ingress Protection     | IP67   |                   |
| Dimensions(W×D×H)      | Φ70mm×162mm  |                   |
| Weight                 | 0.21kg   |                   |
| Material               | Plastic  |                   |

# DH-HAC-HFW1000SL

## Dimensions (mm)



## Accessories (optional)



### Dahua Technology Co., Ltd.

1199BinAn Road, Binjiang District, Hangzhou, China

Tel: +86-571-87688883

Fax: +86-571-87688815

Email:overseas@dahuatech.com

www.dahuatech.com

\*Design and specifications are subject to change without notice.

© 2014Dahua Technology Co., Ltd.